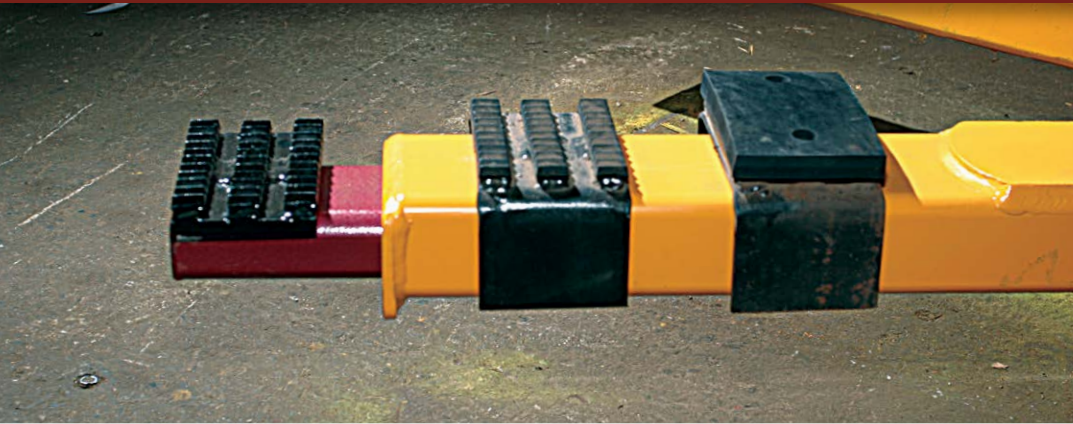
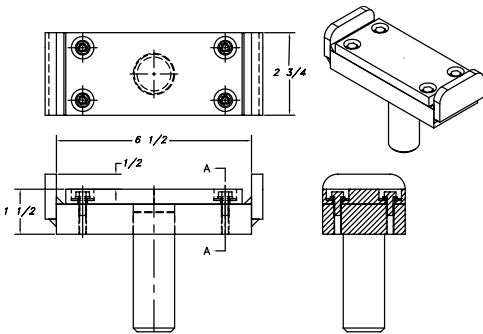


OPTIONAL TWO POST LIFTING PADS



GM STYLE LIFTING PAD - 1 3/8" DIAMETER PIN

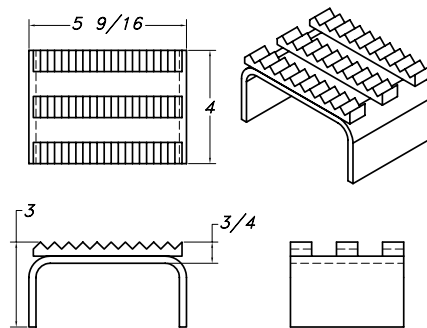


#1

LC-12/LMF/TP-16/TP-18/
ML-220/TP-20
ZZ1641-A-001



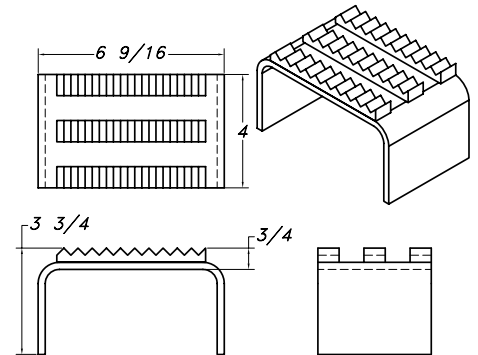
SWING ARM LIFTING PAD - TOOTHED (FITS OVER ARM, NOT SLIDER)



#2

A7/SYS-1A
007-007-078

SWING ARM LIFTING PAD - TOOTHED (FITS OVER ARM, NOT SLIDER)

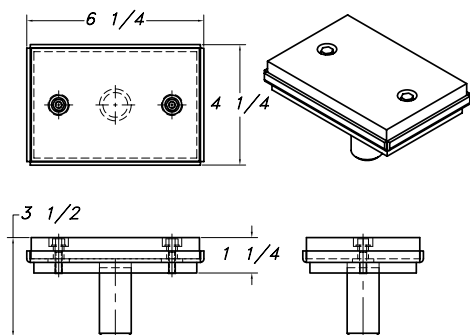


#3

LC-12/LMF/TP-16/
TP-18/ML-220
015-011-061



LIFTING PAD - RUBBER

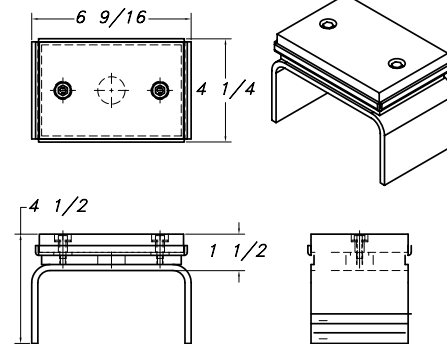


#4

SYS-1A
009-001-054



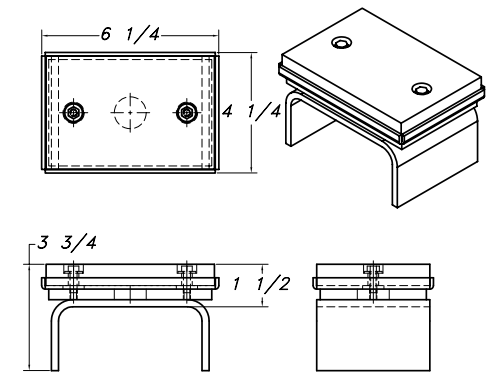
SWING ARM LIFTING PAD - RUBBER (FITS OVER ARM, NOT SLIDER)



#5

LC-12/LMF/TP-16/
TP-18/ML-220
016-011-011

SWING ARM LIFTING PAD - RUBBER (FITS OVER ARM, NOT SLIDER)



#6

A7/SYS-1A
007-007-096

(800) 833-2006 • www.mohawklifts.com

Americas Best Lift Investment...

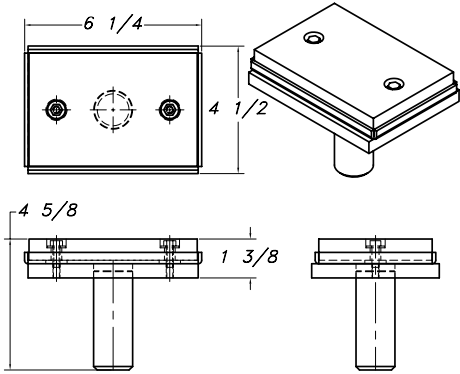
MOHAWK LIFTS

Still proudly designed, welded
and manufactured in the U.S.A.



OPTIONAL TWO POST LIFTING PADS

LIFTING PAD - RUBBER

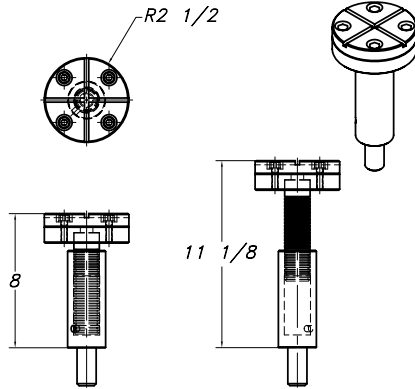


#7

LC-12/LMF/TP-16/
TP-18/ML-220
012-012-051



SCREW TYPE LIFTING PAD - RUBBER

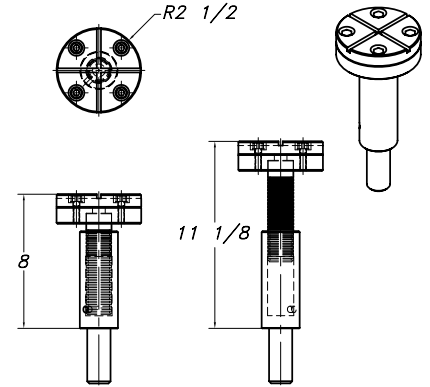


#8

A7/SYS-1A
ZZ1035-A-003



SCREW TYPE LIFTING PAD - RUBBER

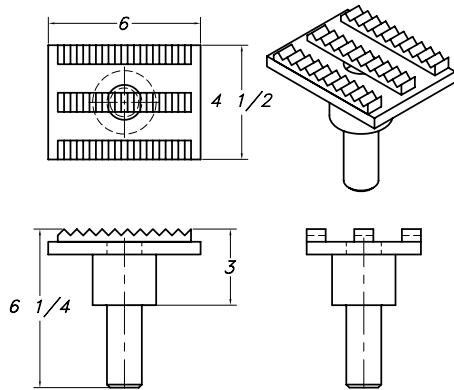


#9

LC-12/LMF/TP-16/
TP-18/ML-220
ZZ1035-A-005



LIFTING PAD - TOOTHED (2" RISER)

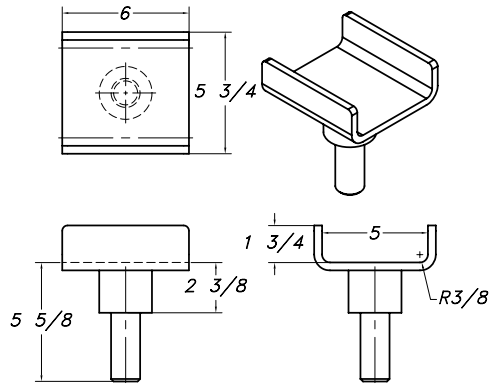


#10

LC-12/LMF/TP-16/
TP-18/ML-220
020-011-003



FRAME CUPPING LIFTING PAD - TOOTHED (2" RISER)



#11

LC-12/LMF/TP-16/TP-18/
ML-220/TP-20
ZZ1325-W-002



MOHAWK LIFTS

AVAILABLE UNDER DISCOUNTED GOVERNMENT
CONTRACT IN ALL 50 STATES

Mohawk Lifts, LLC.
P.O. Box 110
65 Vrooman Ave
Amsterdam, NY 12010
(800) 833-2006
(518) 842-1431
FAX: (518) 842-1289
www.mohawklifts.com



DISTRIBUTED BY: