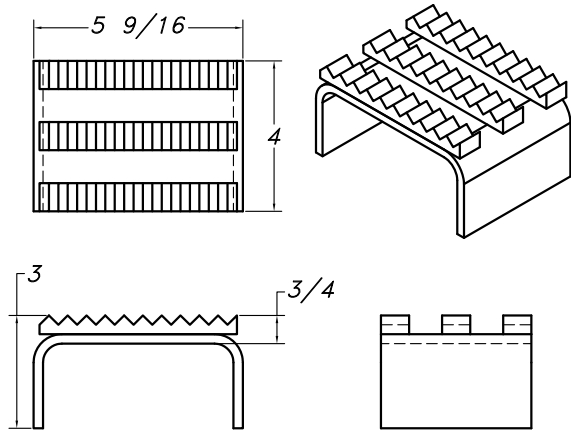


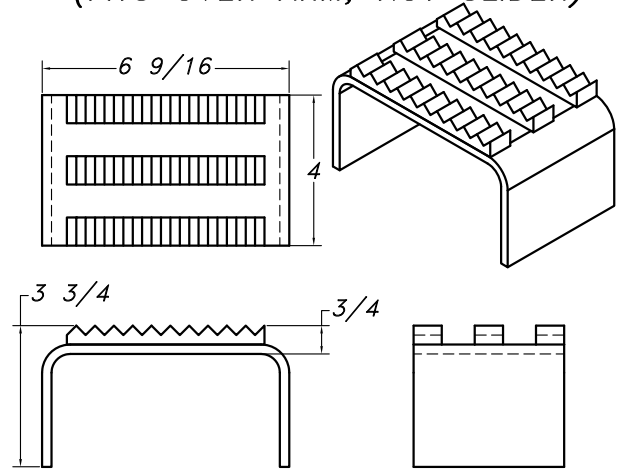
SWING ARM LIFTING PAD – TOOTHED  
(FITS OVER ARM, NOT SLIDER)



A7/SYS-IA

**#1** 007-011-029

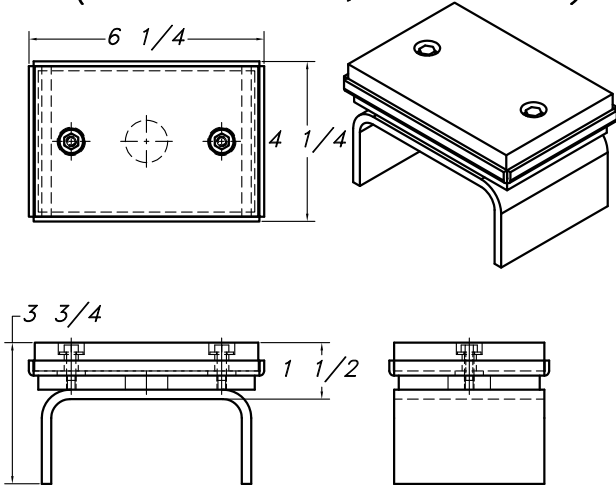
SWING ARM LIFTING PAD – TOOTHED  
(FITS OVER ARM, NOT SLIDER)



LC-12/LMF/TP-16/TP-18

**#2** 015-011-062

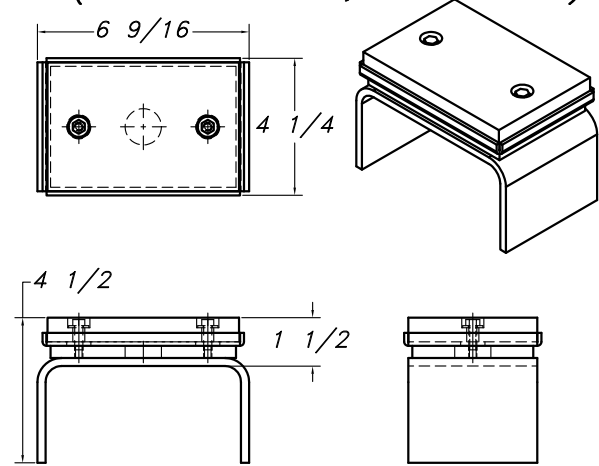
SWING ARM LIFTING PAD – RUBBER  
(FITS OVER ARM, NOT SLIDER)



A7/SYS-IA

**#3** 007-007-094

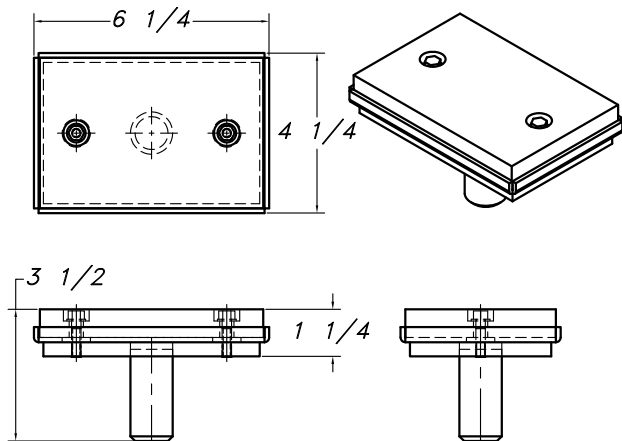
SWING ARM LIFTING PAD – RUBBER  
(FITS OVER ARM, NOT SLIDER)



LC-12/LMF/TP-16/TP-18

**#4** 016-011-009

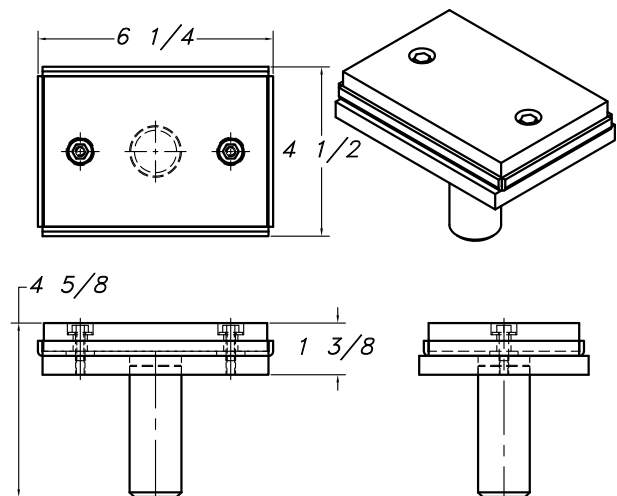
LIFTING PAD – RUBBER



SYS-IA

**#5** 009-001-083

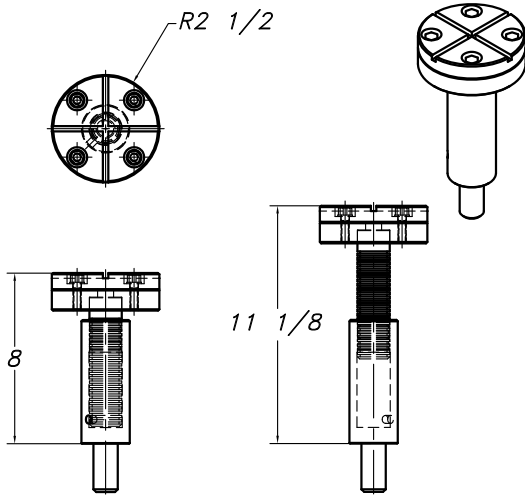
LIFTING PAD – RUBBER



LC-12/LMF/TP-16/TP-18

**#6** 012-012-092

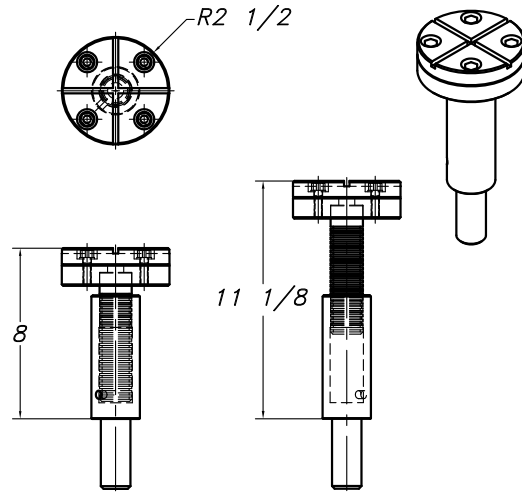
SCREW TYPE LIFTING PAD - RUBBER



#7 ZZ1035-A-006

A7/SYS-IA

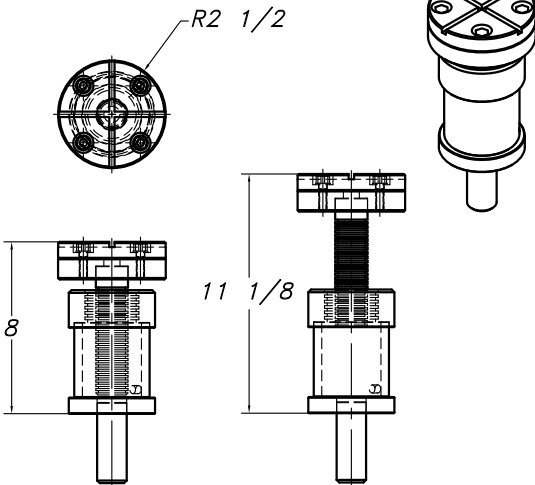
SCREW TYPE LIFTING PAD - RUBBER



#8 ZZ1035-A-007

LC-12/LMF/TP-16/TP-18/TP-20

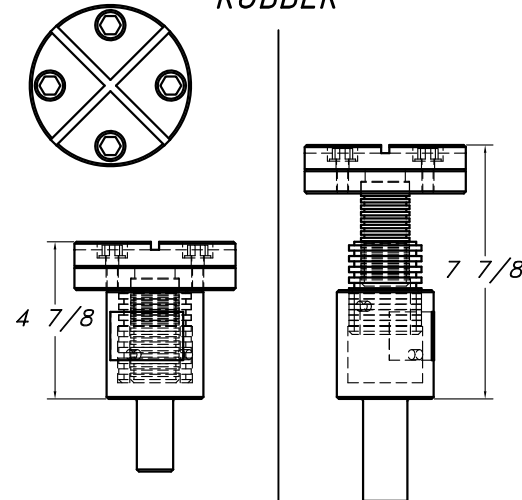
SCREW TYPE LIFTING PAD - RUBBER



#9 ZZ1035-A-008

TP-26/TP-30

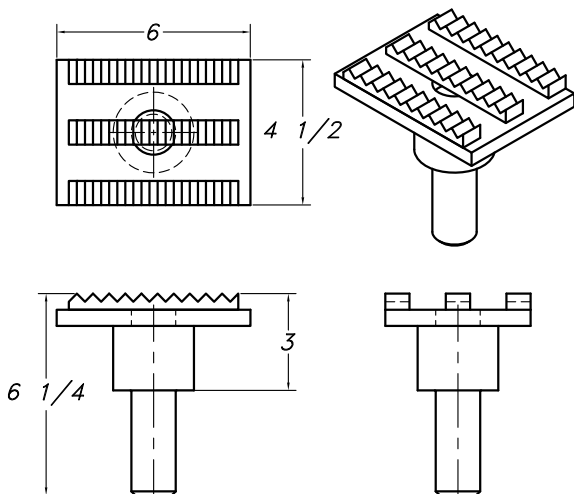
DOUBLE SCREW TYPE LIFTING PAD - RUBBER



#10 ZZ1035-A-013 / ZZ1035-A-014

LC-12/LMF/TP-16/TP-18/TP-20/TP-26

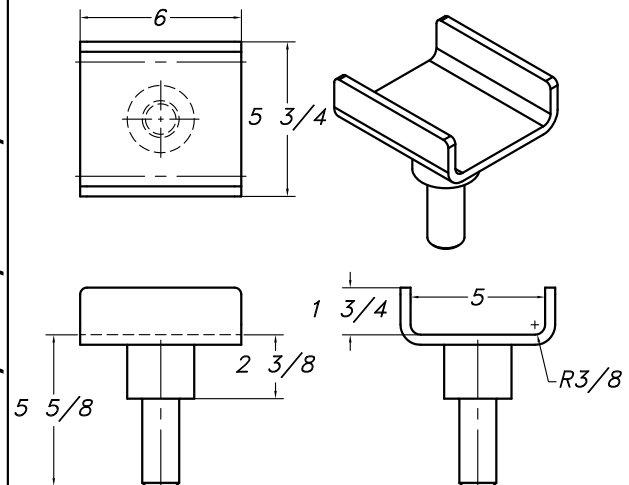
LIFTING PAD - TOOTHED (2" RISER)



#12 020-011-004

LC-12/LMF/TP-16/TP-18

FRAME CUPPING LIFTING PAD - TOOTHED (2" RISER)



#13 ZZ1325-A-001

LC-12/LMF/TP-16/TP-18/TP-20