

# MOHAWK LIFTS

Still proudly designed, welded  
and manufactured in the U.S.A.



## SERVICE & SAFETY

*KEEP YOUR MOHAWK LIFTS SAFETY AS PRIORITY #1*



Model System 1A

- INCREASE SHOP SAFETY
- STAY COMPLIANT WITH ALI & ANSI SAFETY REQUIREMENTS
- LIFT PRODUCTIVITY IMPROVEMENTS
- LIFT PRODUCTIVITY OPTIONS

Parts@MohawkLifts.com or 518-842-1431 ext. 3300

*KEEP YOUR LIFTS & TECHS AS SAFE AS POSSIBLE*

# INCREASES SHOP SAFETY

## VEHICLE LIFTING POINTS GUIDE

If you're using a frame-engaging lift like a two-post lift, you need to know the car manufacturer's recommended lifting points. These are the points identified by the vehicle OEM as the appropriate place for the lift to contact the undercarriage.



## LIFTING IT RIGHT SAFETY MANUAL

For more than 30 years, ALI's exclusive Lifting It Right safety manual has taught millions of lift operators best practices for safe lift use, including how to properly lift and lower a vehicle, prepare the service bay, maintain load stability and take care of a vehicle lift.



## AUTOMOTIVE LIFT SAFETY TIPS CARD

The ALI Automotive Lift Safety Tips Card features 13 key safety tips that should be followed any time a vehicle lift is being used. The card is 8 1/2 by 11 inches, making it easy to display. Comes in pack of 10.



## PUT AN END TO YOUR HEADACHES



## A SAFE TECH IS A HAPPY TECH

## FOAM HEAD GUARD >

- Reduces technician head injuries
- Fits all lift brand swing arm sliders
- Increases worker safety
- Easy to install

## BACKSAVER >

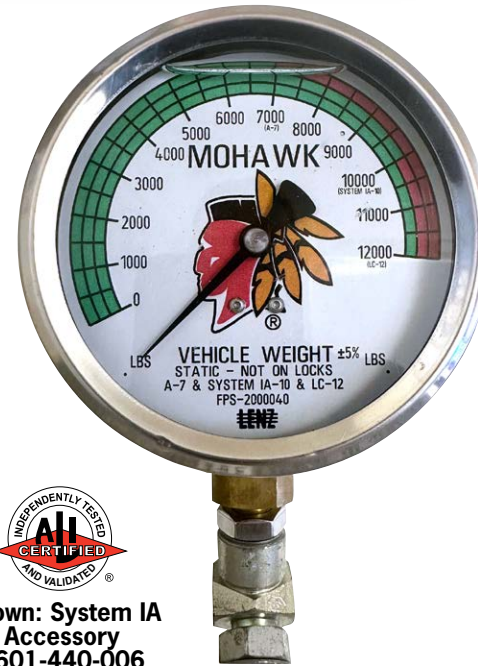
- Helps to reduce workers' compensation claims
- Hang your tires from lift swing arms
- Save your technicians from bending down to lift heavy tires
- Simple 10 minute installation
- Available for all Mohawk 10,000 lb. to \*20,000 lb. 2 post lifts



\* Please note, will not work with Model TP-20 lift.

## SAFETY WEIGHT GAUGE >

- Displays vehicle weight
- A diagnostic tool to help sell heavy duty parts, shocks, brakes & tires
- Gauge shows lift has been lowered onto locks
- ALI certified



Shown: System IA  
Accessory  
#601-440-006

## < FOAM DOOR GUARD

2" thick, soft foam protects vehicle from dents and scratches if the door is accidentally opened into the columns



# 2 POST LIFT OPTIONS & PARTS

## SWING-ARM LIFTING PADS



- Attaches to swing arm and not slider
- Gives access for special lifting requirements
- Optional rubber top protects vehicle underbody

Visit [MohawkLifts.com/lifting-pads](http://MohawkLifts.com/lifting-pads)

## ADJUSTABLE LIFTING PAD

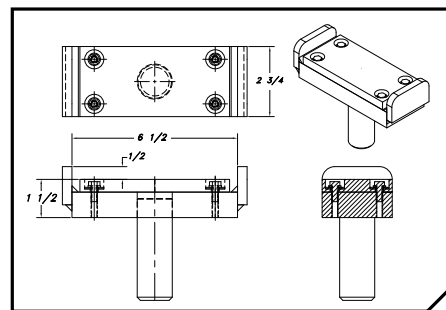
- Height adjustable ACME screw type lift pads
- Models available for all 7,000 – 30,000 lb. capacity two post lifts
- Choice of rubber or steel top pads
- Gives additional 3+” of fine pad adjustment



Shown: System IA  
Accessory #ZZ1035-A-003



## GM STYLE LIFTING PAD



- Fits models: LC-12, LMF-12, TP-16, TP-18, ML-220 & TP-20
- 1 3/8” Diameter Pin
- Sold individually



Accessory #ZZ1641-A-002

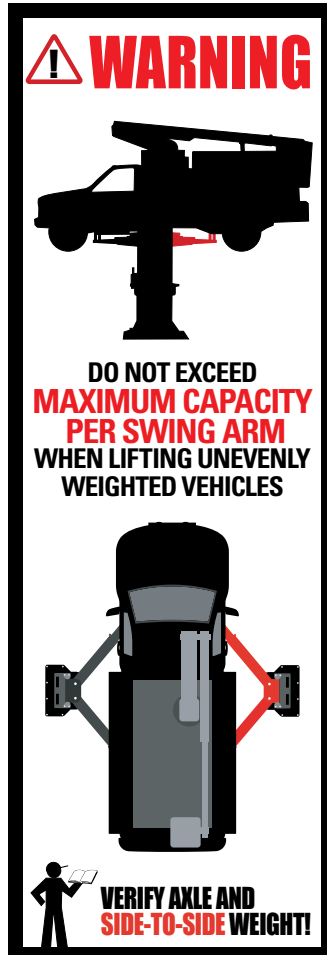
## SWING ARM TOOL HOLDER



- Fits all Mohawk 7,000 thru 20,000 lb. two post lifts
- Made for all brands and models of impact guns
- Tool side holds 45 pounds, cup side holds 100 lbs. of tools
- Slip on design means no installation
- Sold in pairs for left and right side

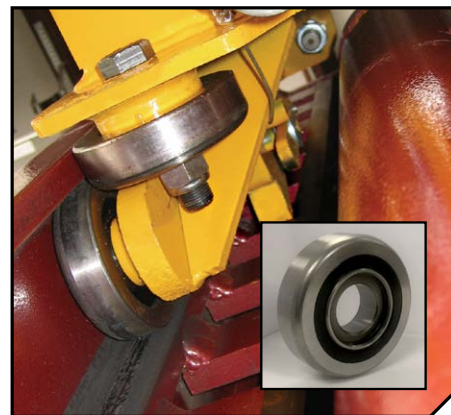
## 2 POST WARNING DECAL

Add this safety decal to your 2 post lifts to remind techs to load lift evenly.



## SEALED CARRIAGE BEARINGS

Suggested replacement 12–15 years



## EXTENDED HEIGHT OVERHEAD LINES

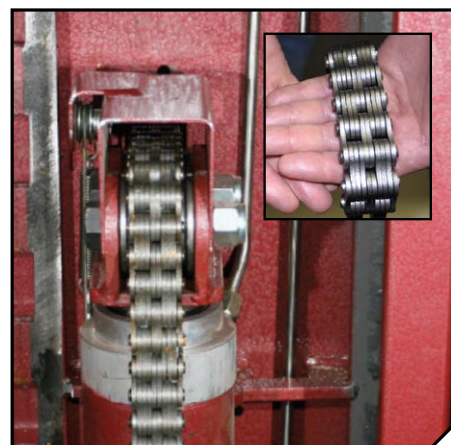
- Made of stainless steel that never needs replacing
- Adjustable to any ceiling height
- Hydraulic lines can be lowered for low ceiling shops



Shown: System IA  
Accessory #000-000-008

## CARRIAGE LIFTING CHAINS

Suggested replacement 10–12 years



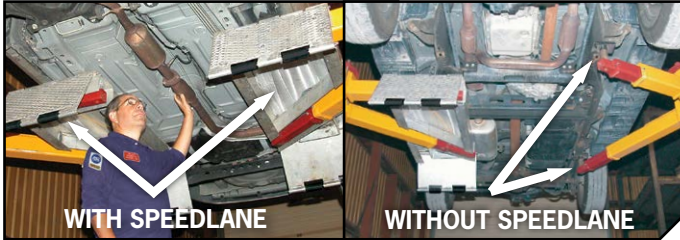
# 2 POST LIFT SHOP PRODUCTIVITY OPTIONS

## SPEEDLANE DRIVE ON ADAPTORS

- Speedlane makes 2 post lift into drive on lift
- No wasted time positioning arms
- Wheels & tires hang free for tire, brake and under vehicle service
- Provides full undercar access
- ALL certified



Shown:  
System IA  
Accessory  
#ZZ757-D



## CAR STORAGE & SERVICE LIFTS

- Allows for quick conversion from a frame contact lift, to a wheel engaging lift and back again
- Takes up less shop space than any 4-post lift
- Use on front, rear or all arms
- Ideal for vehicle storage
- Keeps tires at "street level" for exhaust work
- Standard model fits vehicle wheelbases up to 116"
- Eliminates the wasted time of positioning swing arms

## TURF MAINTENANCE EQUIPMENT & AUTO SERVICE LIFT

- Allows for quick conversion from a frame engaging lift to a turf maintenance lift
- Services cars, trucks, zero turn mowers, turf equipment and four wheelers
- Turf adaptors fit both 2 stage and 3 stage arms with max wheelbase of 119 1/2" (on 3 stage arms)
- ALL Certified



Shown as Service Lift

FRAME ENGAGING LIFT OR  
TURF MAINTENANCE LIFT



Shown as Turf Maintenance Lift



Shown: System IA-10  
Accessory #009-012-001

