


* SHOWN WITH 30' RUNWAYS.

** POWER UNIT LOCATION PER CUSTOMER'S SPECIFICATION.
SHOWN ABOVE IN STANDARD LOCATION.

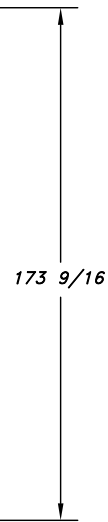
NOTICE OF CONFIDENTIAL INFORMATION

INFORMATION CONTAINED HEREIN IS CONFIDENTIAL AND PROPERTY OF MOHAWK RESOURCES LTD.. WHERE DRAWING IS FURNISHED TO OTHERS IT SHALL BE USED SOLELY FOR PURPOSES OF INSPECTION, INSTALLATION, OR MAINTENANCE. THE INFORMATION SHALL NOT BE USED OR DISCLOSED BY THE RECIPIENT FOR ANY OTHER PURPOSES WHATSOEVER.

REV.	DESCRIPTION	DATE	BY	APP'D.
	1) OVERALL LENGTH WAS 503 11/16 (41'-11 11/16") 2) RAMP LENGTH WAS 109 3/16	8/08	dak	

SPECIFICATIONS:

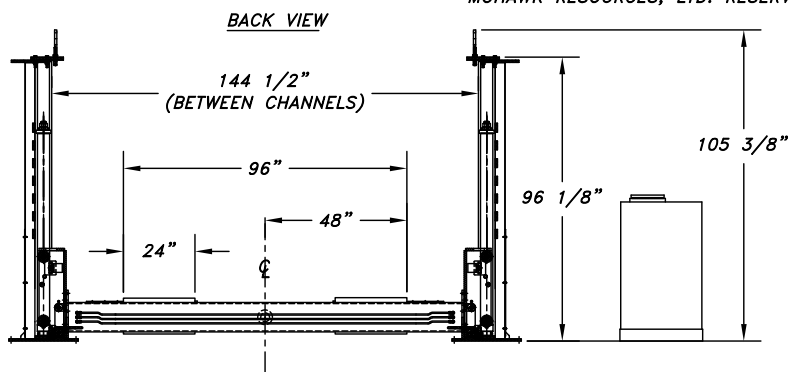
CAPACITY	-----	33,000 LB
LIFTING SPEED	-----	120 SECONDS
MOTOR RATING	-----	10 HP, 208-230 VAC THREE PHASE
LIFTING MECHANISM	-----	(4) 4" HYDRAULIC CYLINDERS, DIRECT DRIVE
OVERALL LENGTH	-----	42'-0 1/4"
OVERALL WIDTH	-----	14'-5 9/16"
LIFTING STROKE	-----	5'
TRACK WIDTH	-----	24"
CLEARANCE BETWEEN POSTS	-----	11'-8"
MECHANICAL SAFETY RELEASE	-----	SINGLE POINT
MECHANICAL SAFETY LOCKS	-----	MULTI-POSITION
BACK-UP HYDRAULIC SAFETY SYSTEMS	-----	P.C. FLOW CONTROLS & VELOCITY FUSES
WEIGHT	-----	22000 LB
SYNCHRONIZATION (MAIN TO OFFSIDE)	-----	(4) #646 LEAF CHAINS
SYNCHRONIZATION (FORE TO AFT)	-----	ELECTRICALLY AUTOMATIC / MANUALLY ADJUSTABLE
FLOOR REQUIREMENTS	-----	4000 PSI CONCRETE 4 1/2" THICK
AVAILABLE OPTIONS *	-----	THREE PHASE POWER, 480 VAC
	-----	DRIVE THROUGH RAMPS
	-----	RUNWAY LIGHTING (ETL APPROVED)
	-----	RJ-50A ROLLING HYDRAULIC JACKING BEAM (ETL APPROVED)
	-----	AIR LINES PLUMBED INTO TRACKS
	-----	OIL DRAIN PAN
	-----	20', 25' OR 30' TRACKS
	-----	RUNWAY LIGHTING & OUTLETS (NON-ETL APPROVED)
	-----	RJ-50, ROLLING HYDRAULIC JACKING BEAM (NON-ETL APPROVED)
	-----	JP-50, ROLLING JACK PLATFORM (NON-ETL APPROVED)
	-----	OBSTACLE SENSOR PACKAGE (NON-ETL APPROVED)



NOTES: *

- SOME OPTION COMBINATIONS ARE NOT AVAILABLE.
- SOME OPTION MAY INVALIDATE ANSI/ALI CERTIFICATION OF LIFT.

MOHAWK RESOURCES, LTD. RESERVES THE RIGHT TO MAKE CHANGES WITHOUT NOTICE.



**MODEL TR-33
30' TRACK**

4-POST TRACK LIFT
CAPACITY: 33,000 LBS



THIS LIFT HAS BEEN TESTED AND CERTIFIED BY A NATIONALLY RECOGNIZED TESTING LABORATORY (NRTL) TO MEET THE REQUIREMENTS OF U.L. STANDARD 201 FOR GARAGE EQUIPMENT AND ANSI/ALI ALCTV-2006 FOR AUTOMOTIVE LIFT CONSTRUCTION.



MOHAWK RESOURCES LTD.

P.O. BOX 110
65 VROOMAN AVENUE
AMSTERDAM, NY 12010
PHN: (800) 833-2006
IN NY: (518) 842-1431
FAX: (518) 842-1289

NOTES: 1. REMOVE ALL SHARP CORNERS & EDGES. 2. UNLESS OTHERWISE SPECIFIED, SURFACE FINISH TO BE 125 RMS. 3. WELDING MEDIUM SHALL CONFORM TO AWS SPECIFICATIONS TO E-70XX ELECTRODES OR E-70TI CODE 5.3 FLUX CORE WIRE ONLY.	TOLERANCES: ANGULAR ± 1° FRACTIONAL ± .030 DECIMAL: ± .030 0.XXX ± .005	FILE NAME	SCALE	DRAWN	MOHAWK RESOURCES LTD. TITLE ILLUSTRATION & SPECS, TR-33 (30')
		TR-33-30	NONE	R.V.	
		NEXT ASSEMBLY	CHECKED	APPROVED	
			DATE	WEIGHT	FROM
			4/08	22000 LB.	DRAWING NUMBER
					TR-33-30 