


* SHOWN WITH 20' RUNWAYS.

** POWER UNIT LOCATION PER CUSTOMER'S SPECIFICATION.
SHOWN ABOVE IN STANDARD LOCATION.

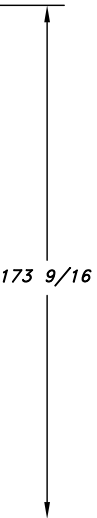
NOTICE OF CONFIDENTIAL INFORMATION

INFORMATION CONTAINED HEREIN IS CONFIDENTIAL AND PROPERTY OF MOHAWK RESOURCES LTD., WHERE DRAWING IS FURNISHED TO OTHERS IT SHALL BE USED SOLELY FOR PURPOSES OF INSPECTION, INSTALLATION, OR MAINTENANCE. THE INFORMATION SHALL NOT BE USED OR DISCLOSED BY THE RECIPIENT FOR ANY OTHER PURPOSES WHATSOEVER.

REV.	DESCRIPTION	DATE	BY	APP'D.
	1) OVERALL LENGTH WAS 383 11/16 (31'-11 11/16") 2) RAMP LENGTH WAS 109 3/16	8/08	dak	

SPECIFICATIONS:

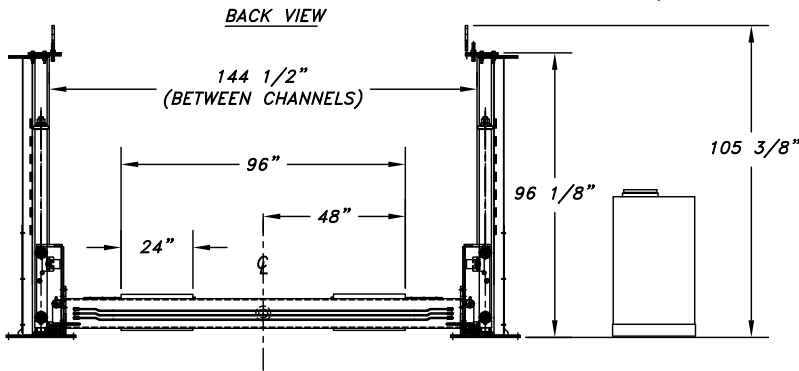
CAPACITY	35,000 LB
LIFTING SPEED	120 SECONDS
MOTOR RATING	10 HP, 208-230 VAC THREE PHASE
LIFTING MECHANISM	(4) 4" HYDRAULIC CYLINDERS, DIRECT DRIVE
OVERALL LENGTH	32'-0 1/4"
OVERALL WIDTH	14'-5 9/16"
LIFTING STROKE	5'
TRACK WIDTH	24"
CLEARANCE BETWEEN POSTS	11'-8"
MECHANICAL SAFETY RELEASE	SINGLE POINT
MECHANICAL SAFETY LOCKS	MULTI-POSITION
BACK-UP HYDRAULIC SAFETY SYSTEMS	P.C. FLOW CONTROLS & VELOCITY FUSES
WEIGHT	12000 LB
SYNCHRONIZATION (MAIN TO OFFSIDE)	(4) #646 LEAF CHAINS
SYNCHRONIZATION (FORE TO AFT)	ELECTRICALLY AUTOMATIC / MANUALLY ADJUSTABLE
FLOOR REQUIREMENTS	4000 PSI CONCRETE 4 1/2" THICK
AVAILABLE OPTIONS *	THREE PHASE POWER, 480 VAC
	DRIVE THROUGH RAMPS
	RUNWAY LIGHTING (ETL APPROVED)
	RJ-50A ROLLING HYDRAULIC JACKING BEAM (ETL APPROVED)
	AIR LINES PLUMBED INTO TRACKS
	OIL DRAIN PAN
	20', 25' OR 30' TRACKS
	RUNWAY LIGHTING & OUTLETS (NON-ETL APPROVED)
	RJ-50, ROLLING HYDRAULIC JACKING BEAM (NON-ETL APPROVED)
	JP-50, ROLLING JACK PLATFORM (NON-ETL APPROVED)
	OBSTACLE SENSOR PACKAGE (NON-ETL APPROVED)



NOTES: *

- SOME OPTION COMBINATIONS ARE NOT AVAILABLE.
- SOME OPTION MAY INVALIDATE ANSI/ALI CERTIFICATION OF LIFT.

MOHAWK RESOURCES, LTD. RESERVES THE RIGHT TO MAKE CHANGES WITHOUT NOTICE.



**MODEL TR-35
20' TRACK**

4-POST TRACK LIFT
CAPACITY: 35,000 LBS



THIS LIFT HAS BEEN TESTED AND CERTIFIED BY A NATIONALLY RECOGNIZED TESTING LABORATORY (NRTL) TO MEET THE REQUIREMENTS OF U.L. STANDARD 201 FOR GARAGE EQUIPMENT AND ANSI/ALI ALCTV-2006 FOR AUTOMOTIVE LIFT CONSTRUCTION.



MOHAWK RESOURCES LTD.

P.O. BOX 110
65 VROOMAN AVENUE
AMSTERDAM, NY 12010
PHN: (800) 833-2006
IN NY: (518) 842-1431
FAX: (518) 842-1289

NOTES: 1. REMOVE ALL SHARP CORNERS & EDGES. 2. UNLESS OTHERWISE SPECIFIED, SURFACE FINISH TO BE 125 RMS. 3. WELDING MEDIUM SHALL CONFORM TO AWS SPECIFICATIONS TO E-70XX ELECTRODES OR E-70TI CODE 5.3 FLUX CORE WIRE ONLY.	TOLERANCES: ANGULAR: ± 1° FRACTIONAL: ± .030 DECIMAL: 0.XX ± .030 0.XXX ± .005			SCALE: NONE CHECKED:	DRAWN: R.V. APPROVED:	MOHAWK RESOURCES LTD. TITLE: ILLUSTRATION & SPECS, TR-35 (20')
	FILE NAME: TR-35-20	NEXT ASSEMBLY	DATE: 4/08	WEIGHT: 12000 LB.	FROM:	

