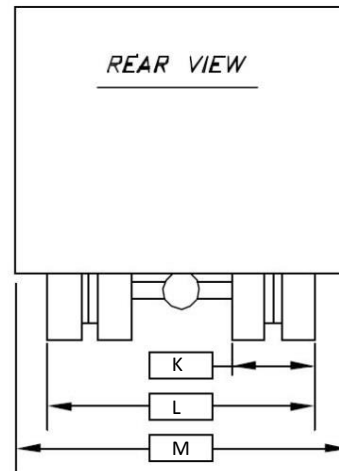
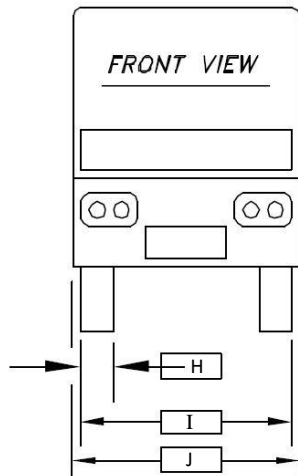
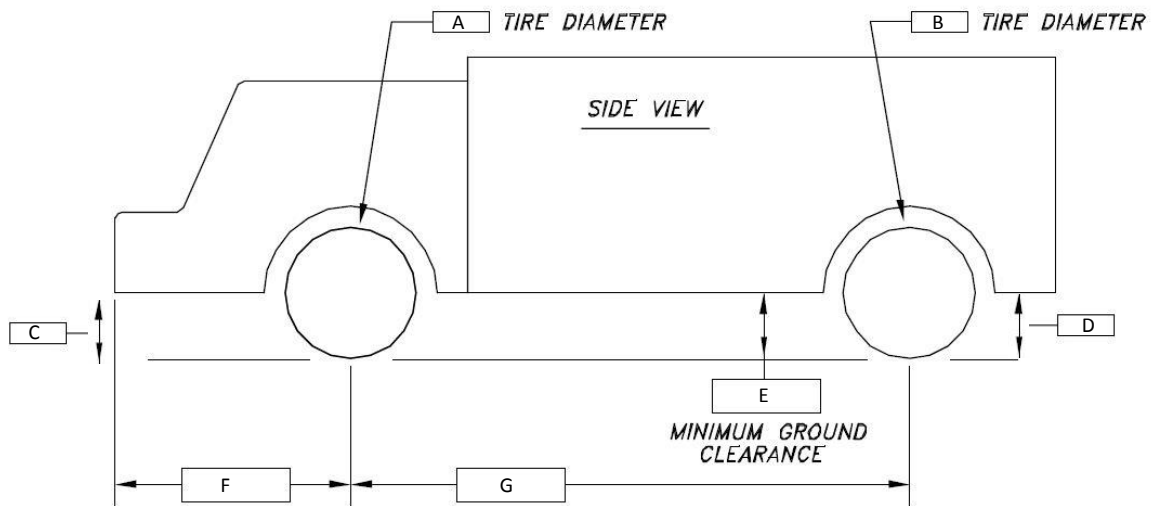


TRUCK DATA FORM (SINGLE AXLE REAR)



PLEASE BE COMPLETE IN ENTERING DIMENSIONAL DATA. OUR DETERMINATION IN SUITING YOUR LIFTING REQUIREMENTS IS ONLY AS ACCURATE AND COMPLETE AS THE DATA WE RECEIVE. ALSO, NOTE ANY AREAS THAT MAY CAUSE PROBLEMS IN VEHICLE LIFTING.

ALL DIMENSIONS TO BE ENTERED IN INCHES

DIMENSION	LONGEST WHEEL BASE	SHORTEST WHEEL BASE	LOWEST CLEARANCE*
A (FRONT TIRE DIAMETER)			
B (BACK TIRE DIAMETER)			
C (FRONT MIN. GROUND CLEARANCE)			
D (REAR MIN. GROUND CLEARANCE)			
E (CENTER MIN. GROUND CLEARANCE)			
F FRONT BUMPER-AXLE			
G AXLE-AXLE LENGTH			
H TIRE WIDTH			
I TIRE OUTSIDE-OUTSIDE WIDTH			
J FRONT TOTAL WIDTH			
K (DUAL) TIRE WIDTH			
L TIRE OUTSIDE-OUTSIDE WIDTH			
M REAR TOTAL WIDTH			
OVERALL LENGTH (BUMPER-BUMPER)			
VEHICLE WEIGHT (NOT GVW)			
HEAVIEST AXLE WEIGHT			

**CHECK BOX IF LOWEST CLEARANCE IS EQUAL TO LONGEST OR SHORTEST WHEEL BASE*