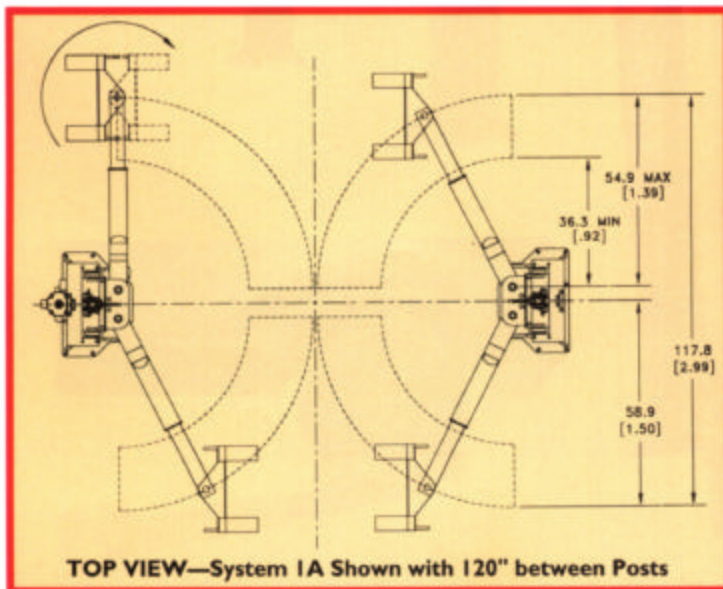
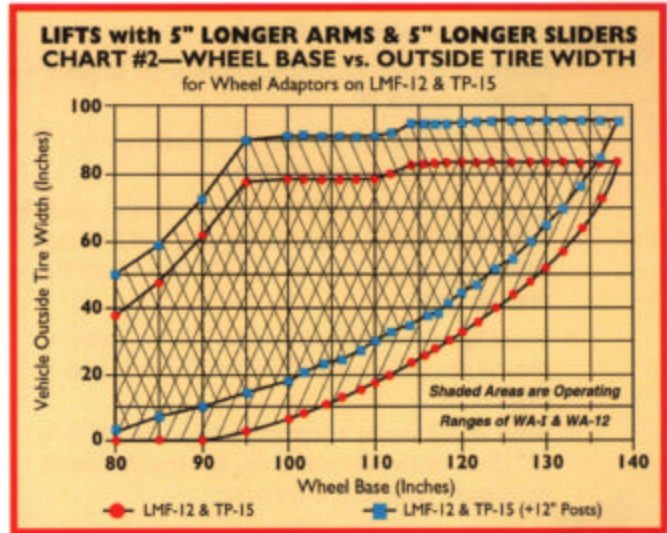
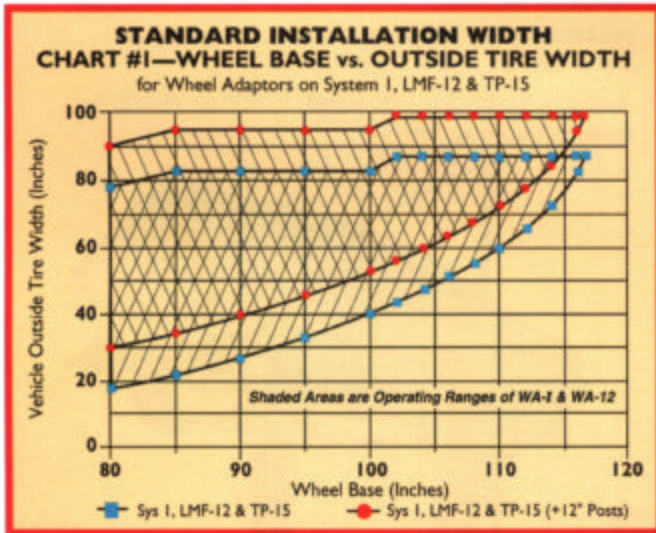


Using the wheel engaging adaptors on your MOHAWK LIFTS makes vehicle set-up quick and easy. Especially for vehicles with hard to reach frames.

Adaptors accommodate 13" through 16" tires and quickly attach to the ends of the swing arms.



MODEL WA-I capacity is 6,000 lbs. (1500 lbs. per arm) designed for MOHAWK SYSTEM I LIFTS.

MODEL WA-12 capacity is 9,000 lbs. (2250 lbs. per arm) designed for all MOHAWK LMF-12 or TP-15 LIFTS.

MOHAWK 

Mohawk Resources Ltd.
 P.O. Box 110
 Amsterdam, NY 12010
 1-800-833-2006
 (518) 842-1431
 FAX: (518) 842-1289
 www.mohawklifts.com

EGSA
 Federal Supply Schedule

GSA CONTR #GS07F-7099B
 SIN #'s 253-22, 253-23,
 & 253-38
 CAGE CODE—OC714
 DUNS #10-128-9916

For more information on this or any other Mohawk product, e-mail Mohawk's sales manager

