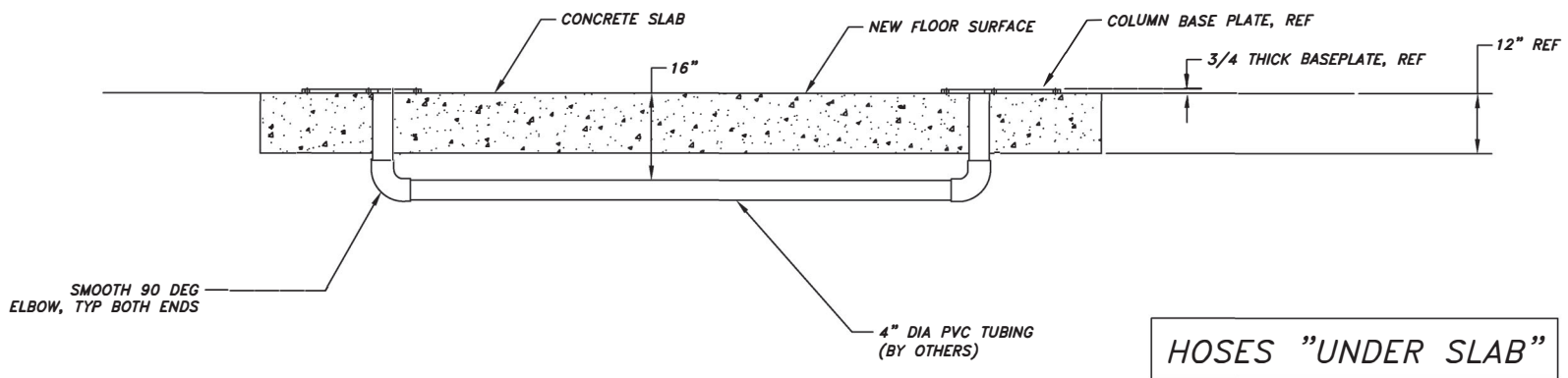
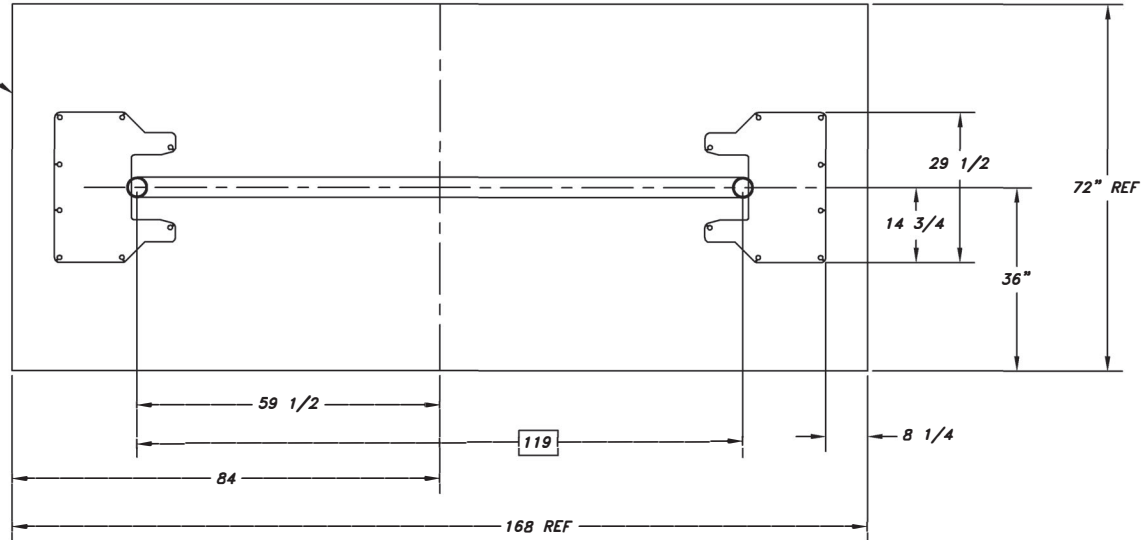


REV.	DESCRIPTION	DATE	BY	APP'D.
△				

STANDARD
SIZE NEW SLAB
RECOMMENDATION
SHOWN



LC-12, LMF-12, TP-15, TP-16, TP-18, ML-220

C-SIZE

NOTICE OF CONFIDENTIAL INFORMATION

INFORMATION CONTAINED HEREIN IS CONFIDENTIAL AND PROPERTY OF MOHAWK RESOURCES LTD., WHERE DRAWING IS FURNISHED TO OTHERS IT SHALL BE USED SOLELY FOR PURPOSES OF INSPECTION, INSTALLATION, OR MAINTENANCE. THE INFORMATION SHALL NOT BE USED OR DISCLOSED BY THE RECIPIENT FOR ANY OTHER PURPOSES WHATSOEVER.

- NOTES:**
1. REMOVE ALL SHARP CORNERS & EDGES.
 2. UNLESS OTHERWISE SPECIFIED, SURFACE FINISH TO BE 125 RMS.
 3. WELDING MEDIUM SHALL CONFORM TO AWS SPECIFICATIONS TO E-70XX ELECTRODES OR E-70TTI CODE 5.3 FLUX CORE WIRE ONLY.

TOLERANCES:
ANGULAR ± 1°
FRACTIONAL ± .080
DECIMAL ± .030
0.XX ± .005
0.XXX ± .005
FILE NAME
016-011-057

016-011-056	NEXT ASSEMBLY
-------------	---------------

SCALE	DRAWN
1/16	RV
CHECKED	APPROVED
DATE	WEIGHT
9/2013	LB.

MOHAWK LIFTS, LLC.	
TITLE NEW FLOOR INSTALLATION FOR IN-GROUND HYDRAULIC HOSES	
FROM	DRAWING NUMBER
	016-011-057

