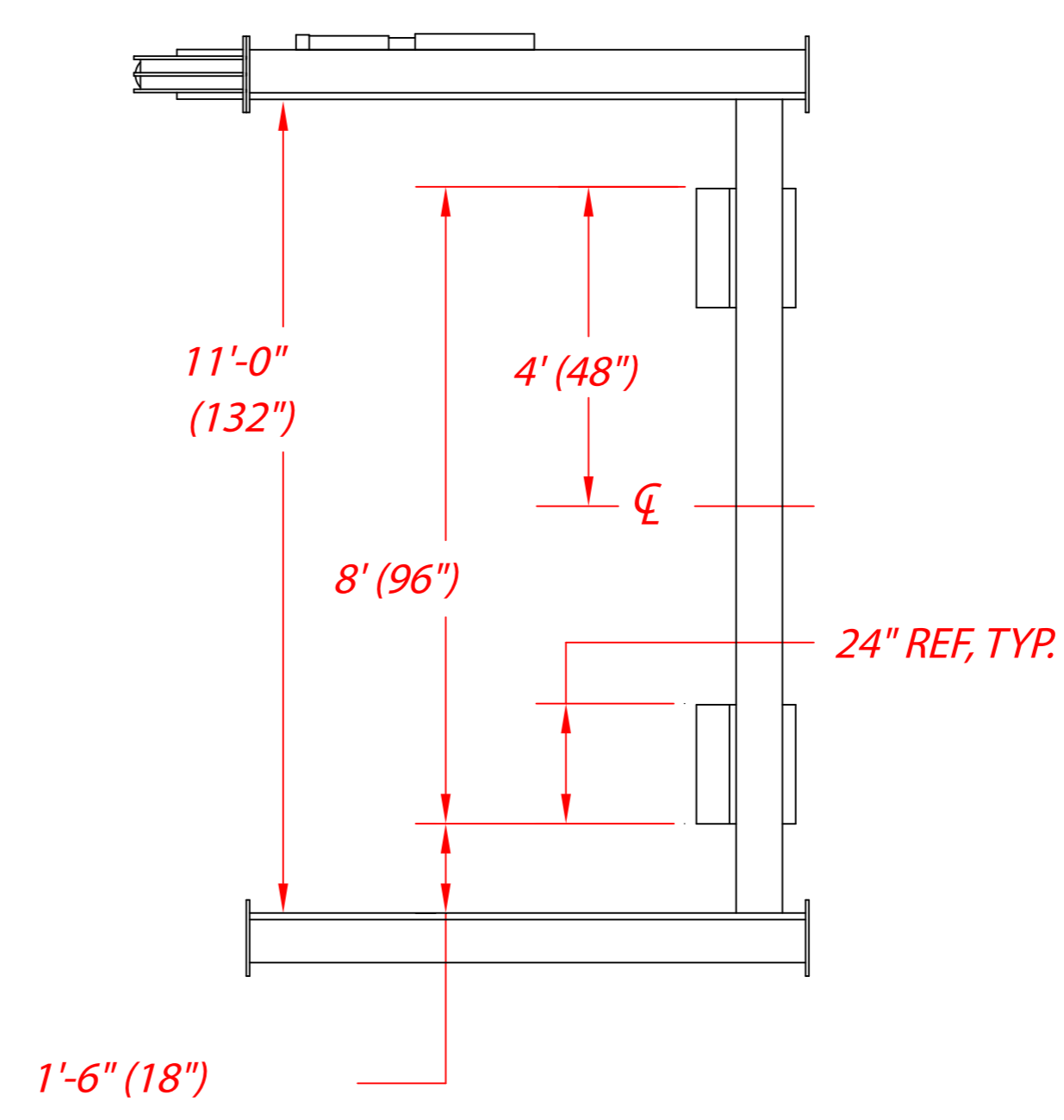
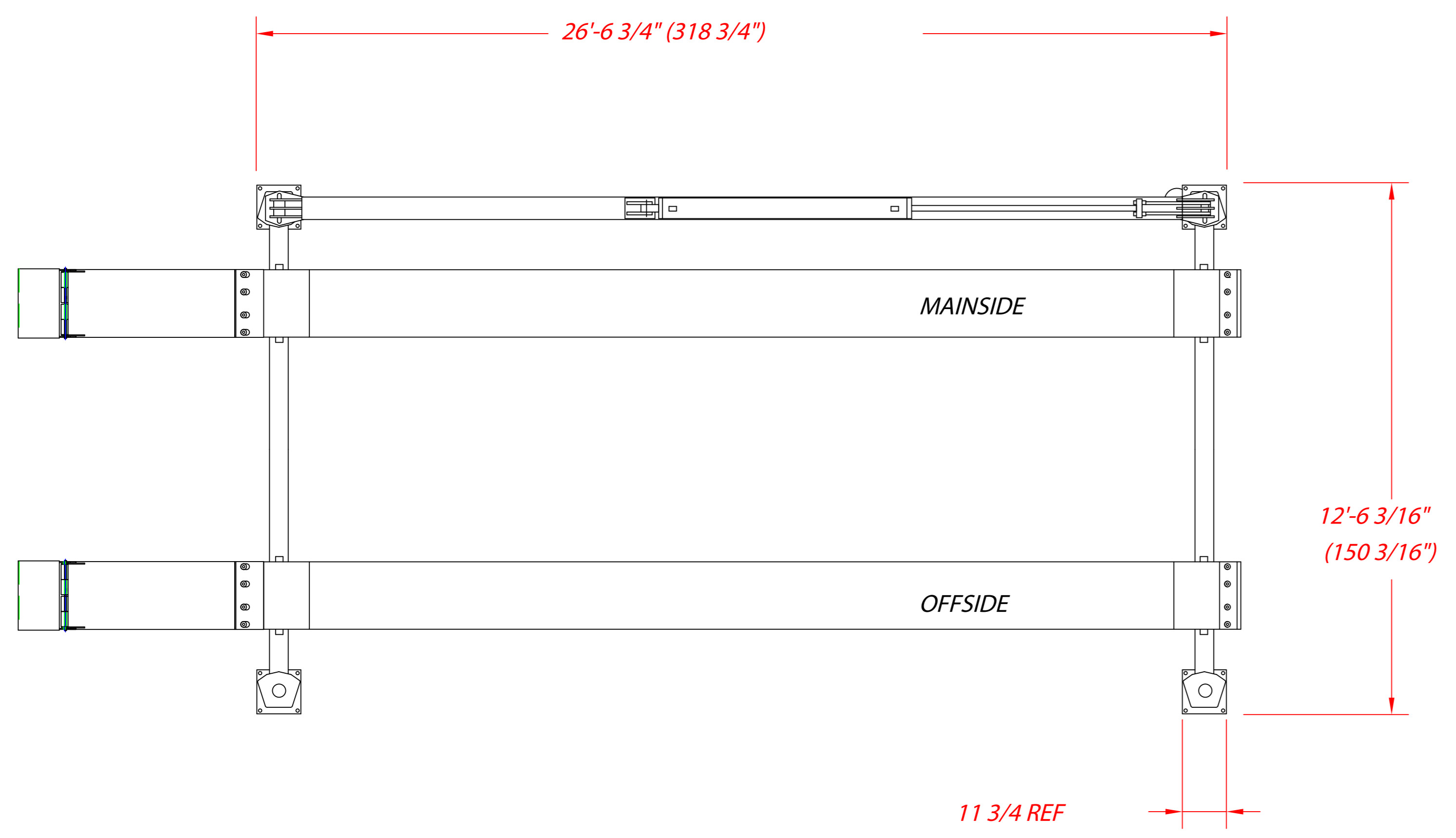


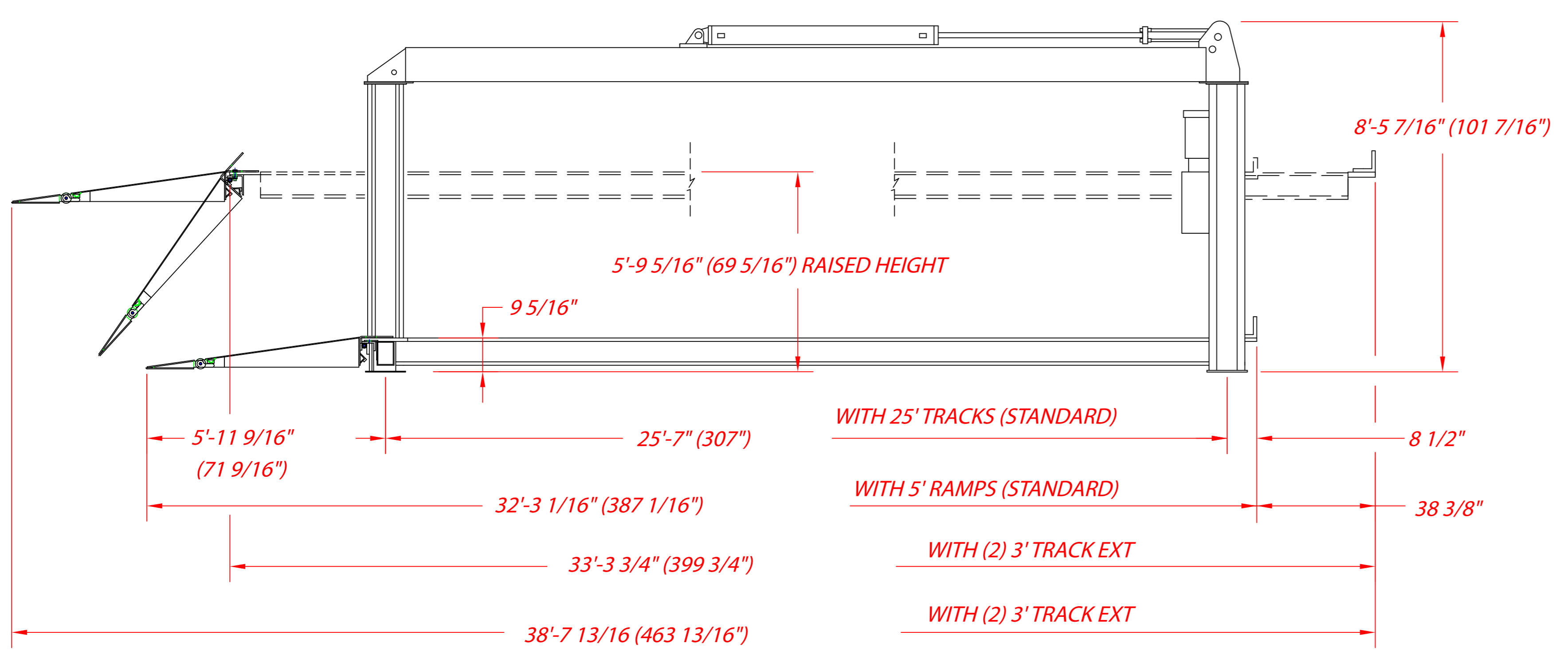
REV.	DESCRIPTION	DATE	BY	APP'D.
△				



MODEL TR-25A

4-POST TRACK LIFT
CAPACITY: 25,000 LBS

MOHAWK RESOURCES LTD.
P.O. BOX 110
65 VROOMAN AVENUE
AMSTERDAM, NY 12010
PHN: (800) 833-2006
IN NY: (518) 842-1431
FAX: (518) 842-1289



SPECIFICATIONS:

CAPACITY	-----	25,000 LB
LIFTING SPEED	-----	120 SECONDS
MOTOR RATING	-----	2 HP, 208-230 VAC SINGLE PHASE (3 PHASE OPTIONAL)
LIFTING MECHANISM	-----	5" HYDRAULIC CYLINDER ATTACHED TO (4) #646 LEAF CHAINS
OVERALL LENGTH	-----	32'-3 1/16"
OVERALL WIDTH	-----	12'-6 3/16"
LIFTING STROKE	-----	5"
TRACK WIDTH	-----	24"
CLEARANCE BETWEEN POSTS	-----	11'-0"
MECHANICAL SAFETY RELEASE	-----	SINGLE POINT
MECHANICAL SAFETY LOCKS	-----	ALL POSITION
BACK-UP HYDRAULIC SAFETY SYSTEMS	-----	P.C. FLOW CONTROLS & VELOCITY FUSES
WEIGHT	-----	5420 LB
AVAILABLE OPTIONS	-----	3' TRACK EXTENSIONS (FRONT, REAR, OR BOTH)
	-----	3 PHASE POWER FOR 208-230, 460, & 575 VAC @ 60 HZ
	-----	ALIGNMENT PACKAGE
	-----	RJ-25, ROLLING HYDRAULIC JACKING BEAM
	-----	JP-25, ROLLING JACKING PLATFORM
	-----	RJ-15, ROLLING HYDRAULIC JACKING BEAM
	-----	JP-15, ROLLING JACKING PLATFORM
	-----	115 VAC DUPLEX OUTLET AT POWER UNIT
	-----	ELECTRIC SOLENOID DOWN VALVE
	-----	RUNWAY LIGHTING
	-----	OIL DRAIN PAN
	-----	OBSTACLE SENSOR PACKAGE
	-----	LOCKABLE MAIN SWITCH
	-----	AUDIBLE DESCENT WARNING
	-----	20', 25', & 30' TRACKS
	-----	DRIVE THROUGH RAMPS

SHOWN ABOVE WITH 25' TRACKS
NOTE: MOHAWK RESOURCES, LTD. RESERVES THE RIGHT TO MAKE CHANGES WITHOUT NOTICE.

NOTICE OF CONFIDENTIAL INFORMATION

INFORMATION CONTAINED HEREIN IS CONFIDENTIAL AND PROPERTY OF MOHAWK RESOURCES LTD.. WHERE DRAWING IS FURNISHED TO OTHERS IT SHALL BE USED SOLELY FOR PURPOSES OF INSPECTION, INSTALLATION, OR MAINTENANCE. THE INFORMATION SHALL NOT BE USED OR DISCLOSED BY THE RECIPIENT FOR ANY OTHER PURPOSES WHATSOEVER.

- NOTES:**
- REMOVE ALL SHARP CORNERS & EDGES.
 - UNLESS OTHERWISE SPECIFIED, SURFACE FINISH TO BE 125 RMS.
 - WELDING MEDIUM SHALL CONFORM TO AWS SPECIFICATIONS TO E-70XX ELECTRODES OR E-70TI CODE 5.3 FLUX CORE WIRE ONLY.

TOLERANCES:

ANGULAR	± 1 °
FRACTIONAL	± .030
DECIMAL:	
0.XX	± .030
0.XXX	± .005

FILE NAME: TR-25-25

SCALE	NONE
CHECKED	
DATE	4/00

DRAWN	R.V.	MOHAWK RESOURCES LTD.
APPROVED		TITLE
		ILLUSTRATION & SPECS, TR-25A (25')
WEIGHT	5420 LB.	FROM
		N/A
DRAWING NUMBER	TR-25-25	

D-SIZE

